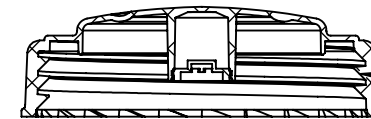
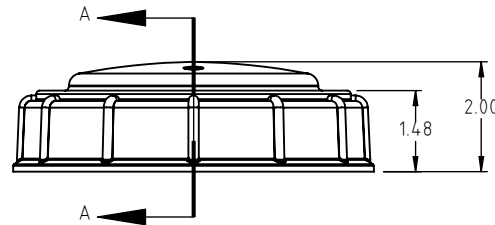
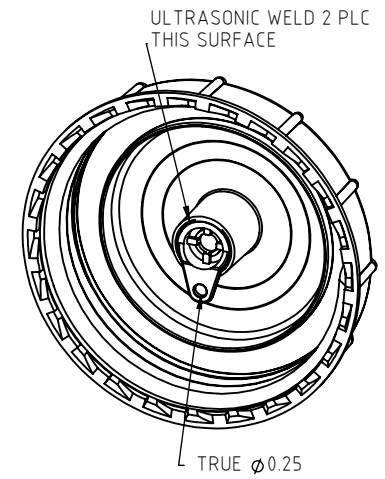
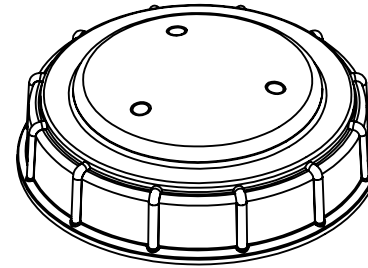
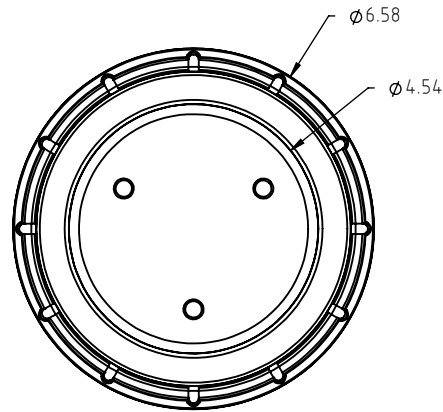
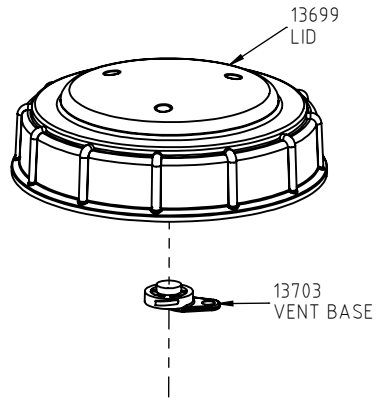


Copyright. All information furnished within this document, electronic file or design correspondence is the property of Den Hartog industries, Inc. and shall not be used, disclosed to others or copied without the expressed written consent of Den Hartog Industries, Inc.



AMERICAN NATIONAL STANDARD BUTTRESS 6 INCH DIA. X 3TPI

SECTION A-A  
SCALE 1: 3.5

				DRAWN / DATE ADH 9/10/12	MATERIAL
				APPROD. / DATE MVE 9/18/12	
REV	DESCRIPTION	BY / DATE	CCN	SHOT WEIGHT:	NOTES:
				SHIPPING WEIGHT: 128 g.	1.) BLACK COLOR
				FINISH:	
ALL DIMENSIONS ARE IN DECIMAL INCHES TOLERANCES UNLESS OTHERWISE SPECIFIED		THIRD ANGLE PROJECTION ANSI 14.5M			
NOTE	TOLERANCE:				



**Den Hartog**  
INDUSTRIES, INC.

Ace Roto-Mold Injection Molding Blow Molding Sowjoy

4010 HOSPERS DRIVE S. BOX 425, HOSPERS, IOWA 51238-0425

DESCRIPTION 5" NONVENTED LID WITH VENT BASE ASSY.	
SCALE N.S.	PART NO. 13748